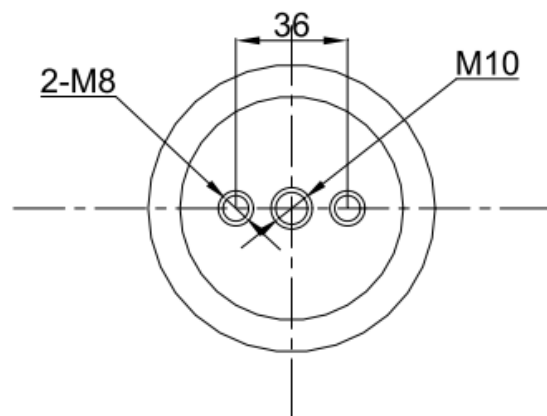
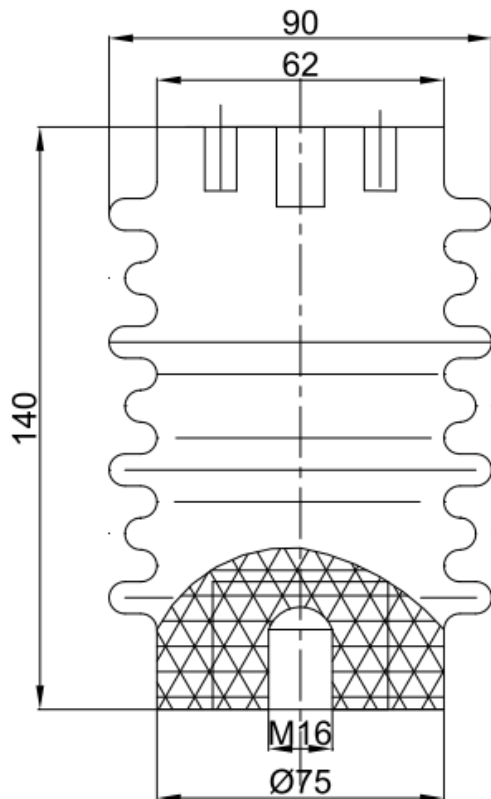
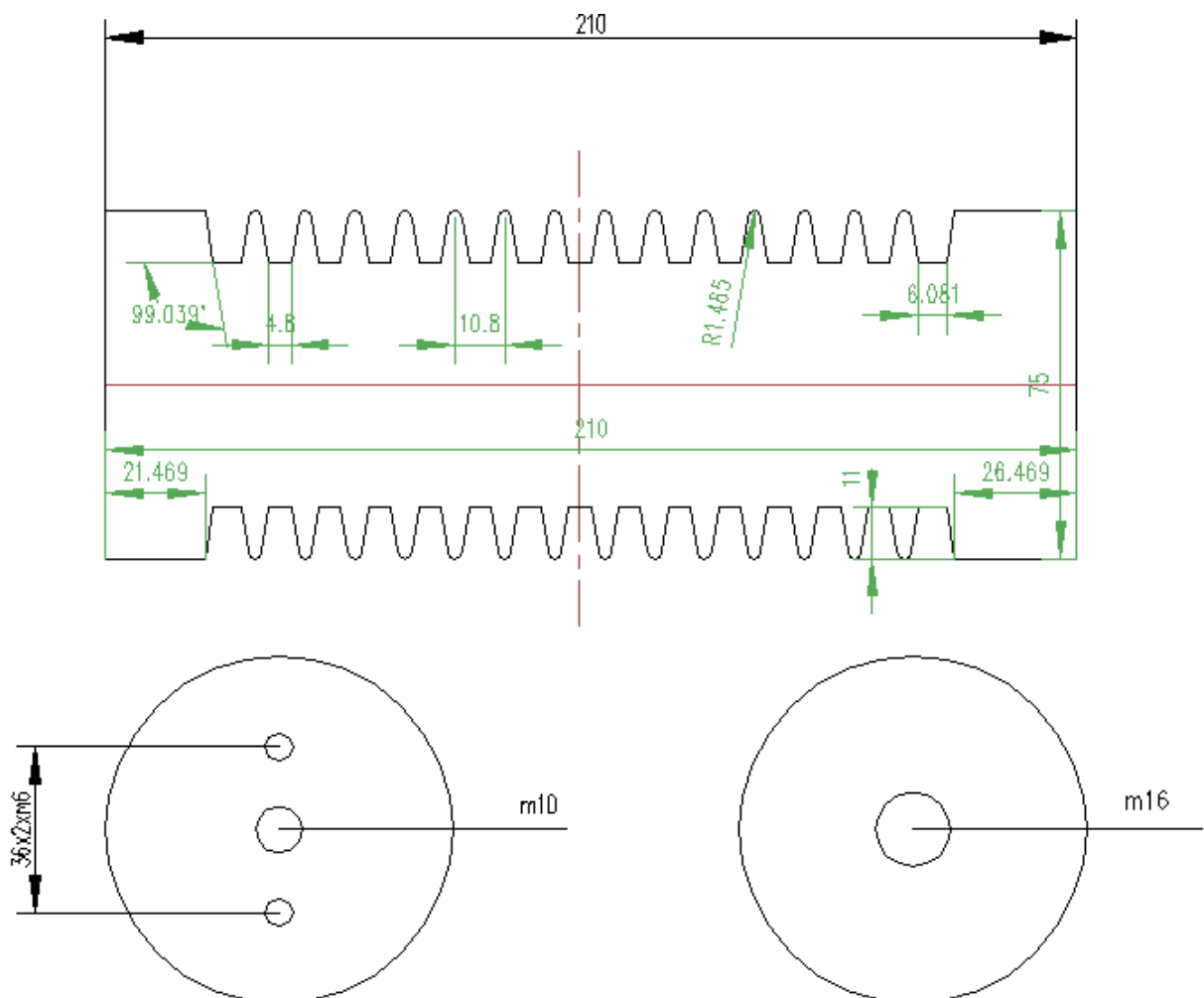


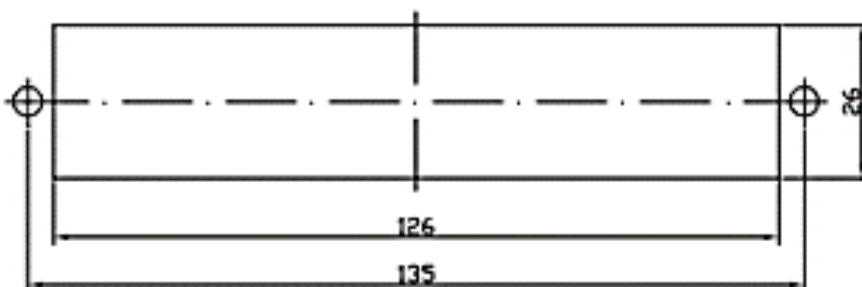
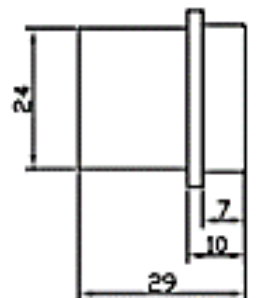
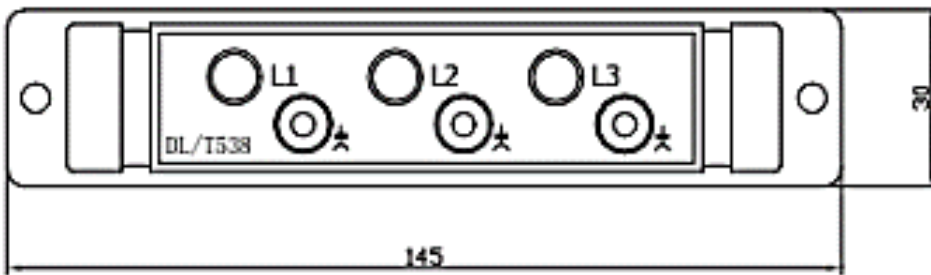
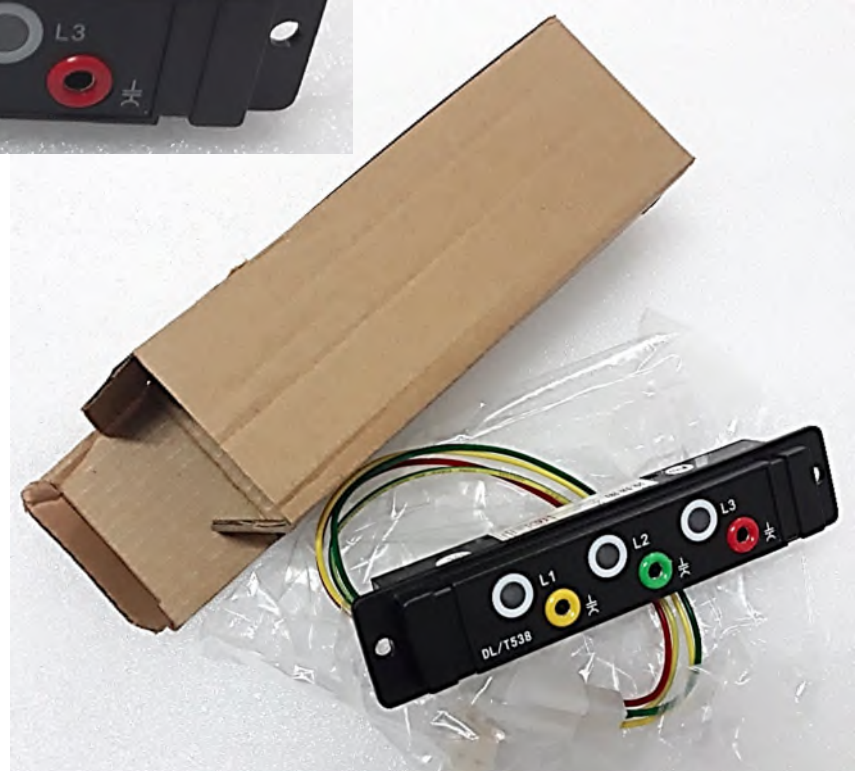
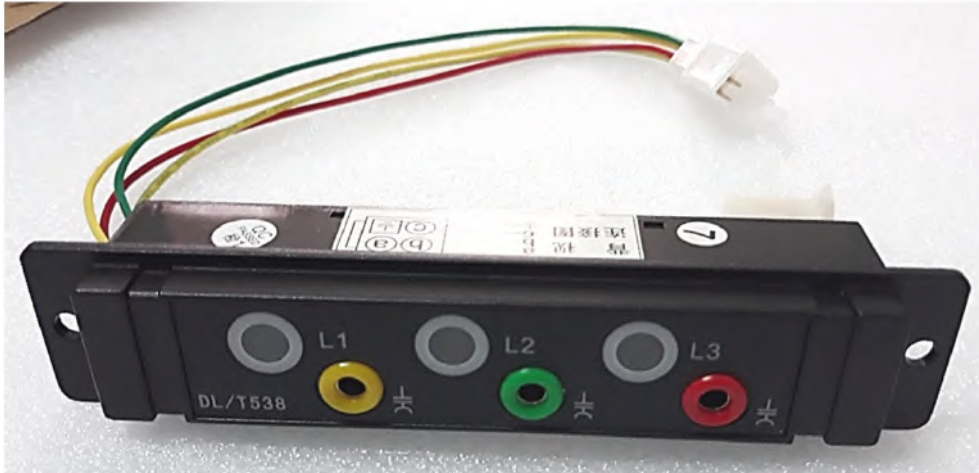
Sensor : 12kV Capacitive Divider Insulator (ZN5-12Q)



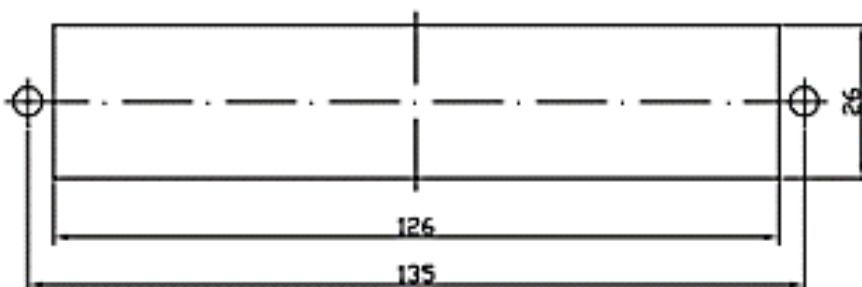
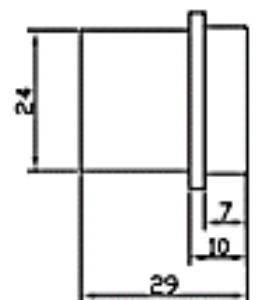
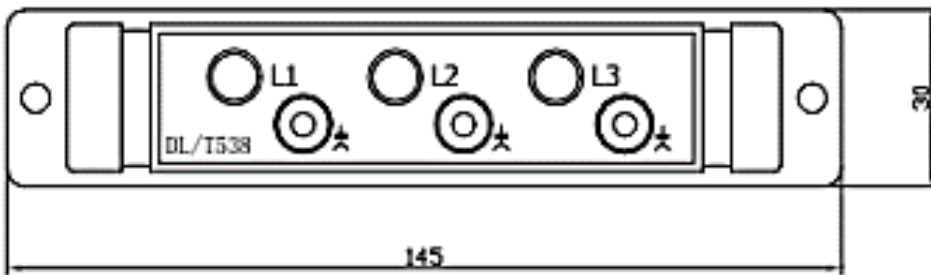
Sensor : 24kV Capacitive Divider Insulator (LYC129)



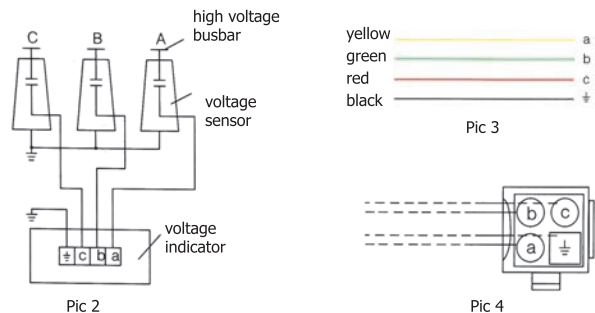
12kV / 24kV Capacitive Divider Indicator (DXN-T7)



Indicator (DXN8D-T7)

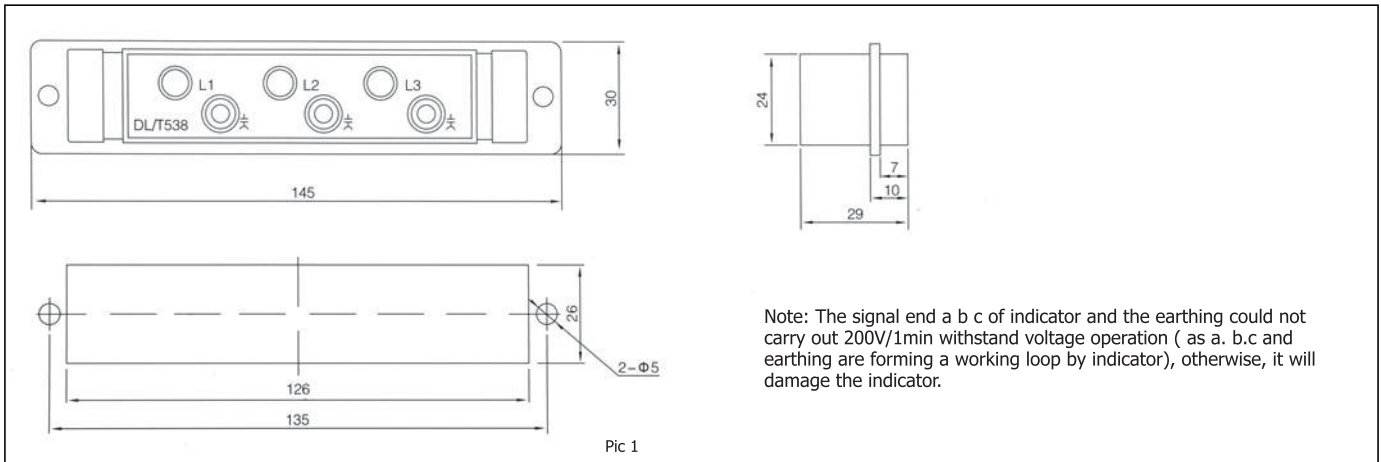


Voltage Indicator (DXN8D-T7)



Back view wiring diagram

Outline of installation hole dimensions



Voltage indicator selection table

Ordering number	Model type	H.V indicting light-emitting element			Outline & installation hole dimensions	Back view wiring diagram	Phase voltage for testing phase conformity (V)	Phase voltage for testing phase discrepancy (V)	Remarks
		type	Working voltage (V)	Service life (h)					
X-46	DXN8D-7.2~40.5/T7	Super bright light-emitting diode	<DC2.5	>50000	Pic 1	Pic 4	<AC30	>AC60	Adaptive voltage capacity
X-47	DXN8D-12/T7S								Adaptive voltage capacity is with 15~30pF sensor or built-in sensor in tube shape

Note: the connecting wire of the indicator could be selected based on customer's request.