

Proposal Penawaran Produk



PT. KORTECH ANUGERAH INDONESIA

Jl. Raya Hankam Ruko Sentra Bisnis Kav. No. 7 Unit 10G

Jati warna, Pondok Melati – Bekasi 17415

Tel/Fax : (021) 84984137

HP : 0812-947-9297

Website: <http://www.KT-Anugerah.com>

Email: itsmom113@hotmail.com

Annunciator System RS-485



- I. RELAY + PLC SYSTEM BUILT-IN
- II. DURABLE STEEL CASE
- III. HIGH QUALITY LED TUBE LAMP
- * Brand : Yong Sung Electric Korea

Annunciator System



- I. RELAY + PLC SYSTEM BUILT-IN
- II. DURABLE STEEL CASE
- III. HIGH QUALITY LED TUBE LAMP
- * Brand : Yong Sung Electric Korea

Annunciator System (Bagian lampu)



- I. SQUARE / RECTANGLE LAMP
- II. CUSTOM LABEL AVAILABLE
- III. HIGH QUALITY LED TUBE LAMP
- * Brand : Yong Sung Electric Korea

Thermostat (RUN)



- I. RED FOR HEATER
- II. BLUE FOR FAN
- III. ONE-TOUCH TEMP. CONTROL
- * Brand : RUN Electric Korea

Thermostat (STEGO)



- I. RED FOR HEATER / BLUE FOR FAN
- II. GENUINE STEGO LICENSE
- * Brand : STEGO China

Thermostat (CYMAX)



- I. FAN + HEATER CONTROL
- II. CUSTOM SENSOR WIRE 2 METERS
- III. COST-EFFICIENT CHOICE
- * Brand : ChoYang Electric Korea

PRODUK YANG DI TAWARKAN



Lockout Relay



- I. MECHANICAL TURN CONTROL
 - II. BUILT-IN PUSH BUTTON
 - III. CUSTOMIZATION READY
- * Brand : Yong Sung Electric Korea

Discrepancy Cam Switch (10A)



- I. RED / GREEN , ROUND / SQUARE
 - II. HIGH QUALITY PLASTIC
 - III. DURABLE CAM SHAFT
- * Brand : Yong Sung Electric Korea

Selector Switch



- I. CUSTOM FRONT PLATE READY
 - II. HIGH QUALITY ABS PLASTIC
 - III. LONG-LASTING STEEL BACKPLATE
- * Brand : Yong Sung Electric Korea

Discrepancy Cam Switch (5A)



- I. ZINC-COATED HOLDER
 - II. HIGH QUALITY PLASTIC
 - III. DURABLE CAM SHAFT
- * Brand : Yong Sung Electric Korea

Space Heater



- I. SEPARATED TERMINAL INSTALL
 - II. INSULATED THERMAL CABLE
 - III. EFFICIENT / LONG-LASTING
- * Brand : ChoYang Electric Korea

CTT / PTT Test Terminal Block



- I. RED FOR PTT, BLACK FOR CTT
 - II. SECURITY LOCK FRONT
 - II. DUAL CONTACT SYSTEM
- * Brand : Yong Sung Electric Korea

PRODUK YANG DI TAWARKAN

Position Tap Indicator



- I. MICROCONTROLLER CIRCUIT
 - II. BCD CODE INPUT WITH COMMS
 - III. 7-SEGMENT DISPLAY
- * Brand : Emco Electronics India

Ampere Meter & Volt Meter



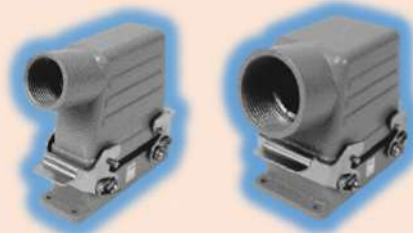
- I. 0.5% \pm 1 DIGIT ACCURACY
 - II. 20% ~ 80% OPERATING HUMIDITY
- * Brand : Yong Sung Electric Korea

Relay



- I. MECHANICAL OPERATION
 - II. RAPID PULSE SIGNAL RESPONSE
 - III. STABILIZED CONTACT
- * Brand : Yong Sung Electric Korea

Multi-Pole Connector



- I. LONG-LASTING, ANTI-CORROSIVE
 - II. DURABLE STEEL CASING
- * Brand : Yong Sung Electric Korea

Buzzer



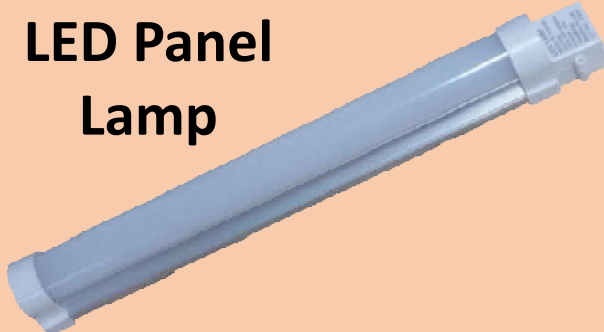
- I. FREE VOLTAGE AC/DC
 - II. DUAL SOUND
 - III. 90dB SOUND
- * Brand : Yong Sung Electric Korea

Capacitive Divider Insulator & Indicator



- I. 12KV & 24KV AVAILABLE
- II. HIGH DENSITY MATERIAL
- III. 5-YEAR WARRANTY

LED Panel Lamp



- I. BRIGHT & LONG LIFE SPAN (11YRS)
 - II. FIT TO SMALL SPACE (-29CM)
 - III. DURABLE SECURITY TERMINAL
- * Brand : YongSung Korea

Current / Voltage Transformer



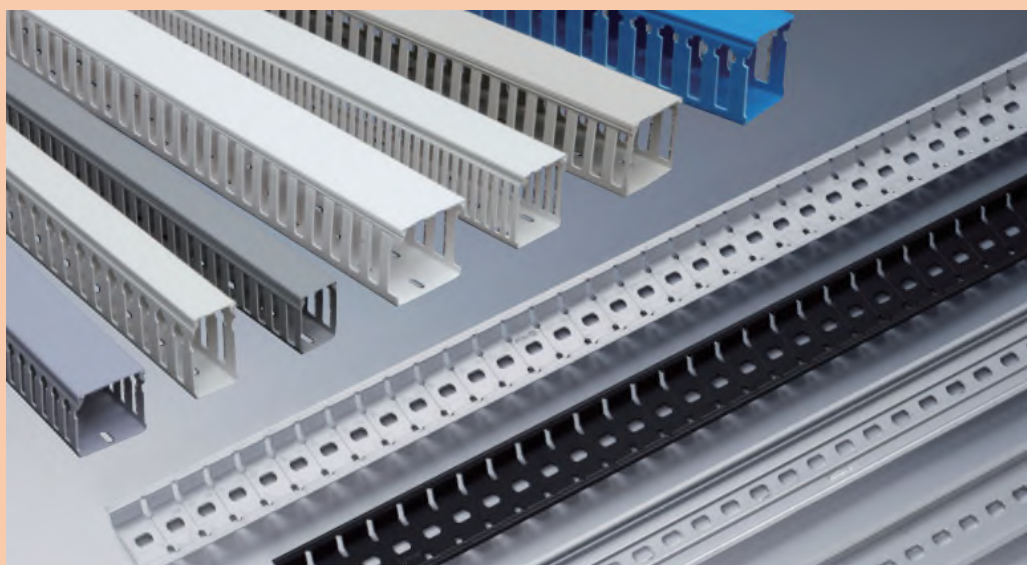
- I. CUSTOMIZATION READY
- II. FAST SHIPPING
- III. Designed in Korea

Cable Hook Tube



- I. Cable Protection
- II. Non-flammable
- III. Brand : CYMAX Korea

PVC DUCT



ANNUNCIATOR

(MODULE-TYPE WITH RELAY + PLC)



New Type
Internal Buzzer + Push Button + Optional RS485

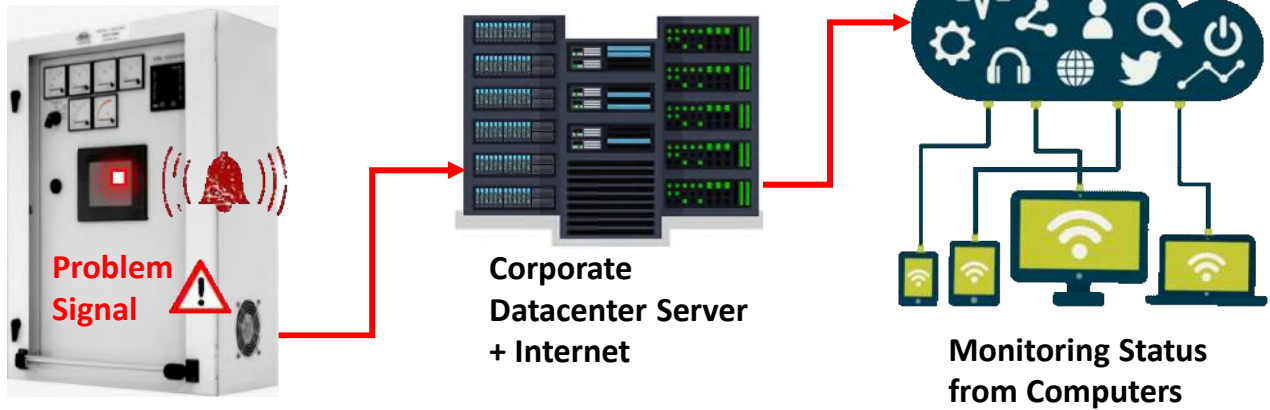


General Type
External Buzzer + Push Button

NEW ANNUNCIATOR RS-485 TYPE



Usefulness of RS-485



RS-485 Annunciator Status Monitoring



NEW ANNUNCIATOR RS-485 TYPE



Built-in Buzzer & Push Buttons



Chrome-plated Long Lasting Quality



LONG-LASTING LED

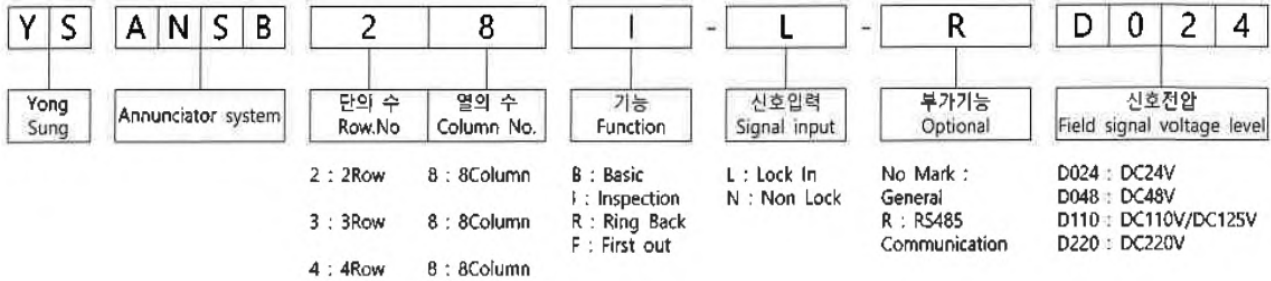


COMPLETE MODULE-TYPE

NEW ANNUNCIATOR RS-485 TYPE



1. Type Classification Diagram



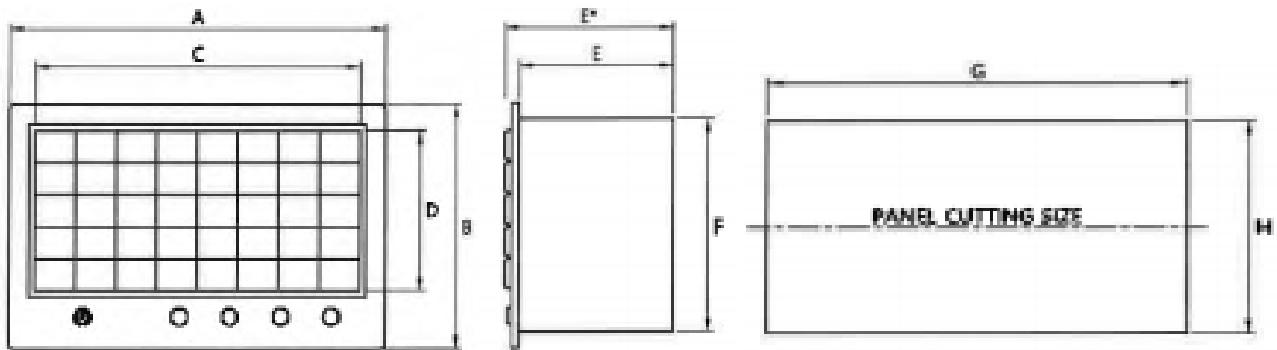
2. Technical Specification

정격전압 (Rating Volatage)		
신호전압 (Field Signal Voltage Level)		
사고신호방식 (Fault Signal Type)	Normal Open	
내전압 (Withstand Voltage)	1,500VAC 60Hz/min	
절연저항 (Insulation Resistance)	Above 100MΩ (500VDC Meg)	
램프정격 (Lamp Lated)	Below DC24V 20mA	
램프색상 (Lamp Color)	Red, Green, Yellow, Orange, Blue, White	
사용주위온도 (Ambient Temperature)	-10°C ~ +50°C	
사용주위습도 (Relative Humidity)	45 ~ 85%	
부저음 출력 (Buzzer Sound)	1EA (Approx 80dB)	
전면 제어 스위치 (Front Control Switch)	4EA (Reset, Acknowledge, Mute, L/T)	
부가기능 (Optional)	RS485 Communication	
소비전력 (POWER Consumption)	16CH	About 13W
	24CH	About 25W
	32CH	About 30W

NEW ANNUNCIATOR RS-485 TYPE

3. Dimension

3.1 Shape Dimension



3.2 Panel Cutting Size

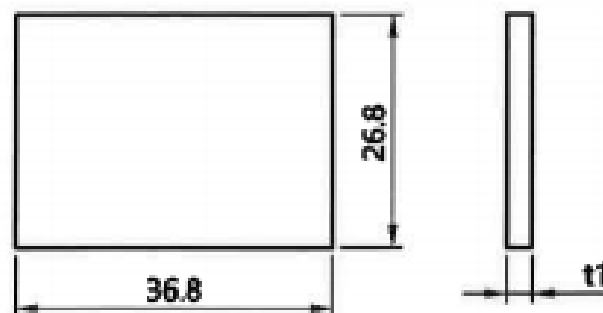
Type	Dimension								
	A	B	C	D	E'	E	F	G	H
8CH (2x4)	210	140	160	60	198	189	120	192	122
15CH (3x5)	250	170	200	90	198	189	150	232	152
16CH (2x8)	370	140	320	60	198	189	120	352	122
21CH (3x7)	330	170	280	90	198	189	150	312	152
24CH (3x8)	370	170	320	90	198	189	150	352	152
32CH (4x8)	370	200	320	120	198	189	180	352	182
40CH (5x8)	370	230	320	150	198	189	210	352	212

Notes) Lamp size : 40mm x 30mm (approx.) ex) 8CH (axb)

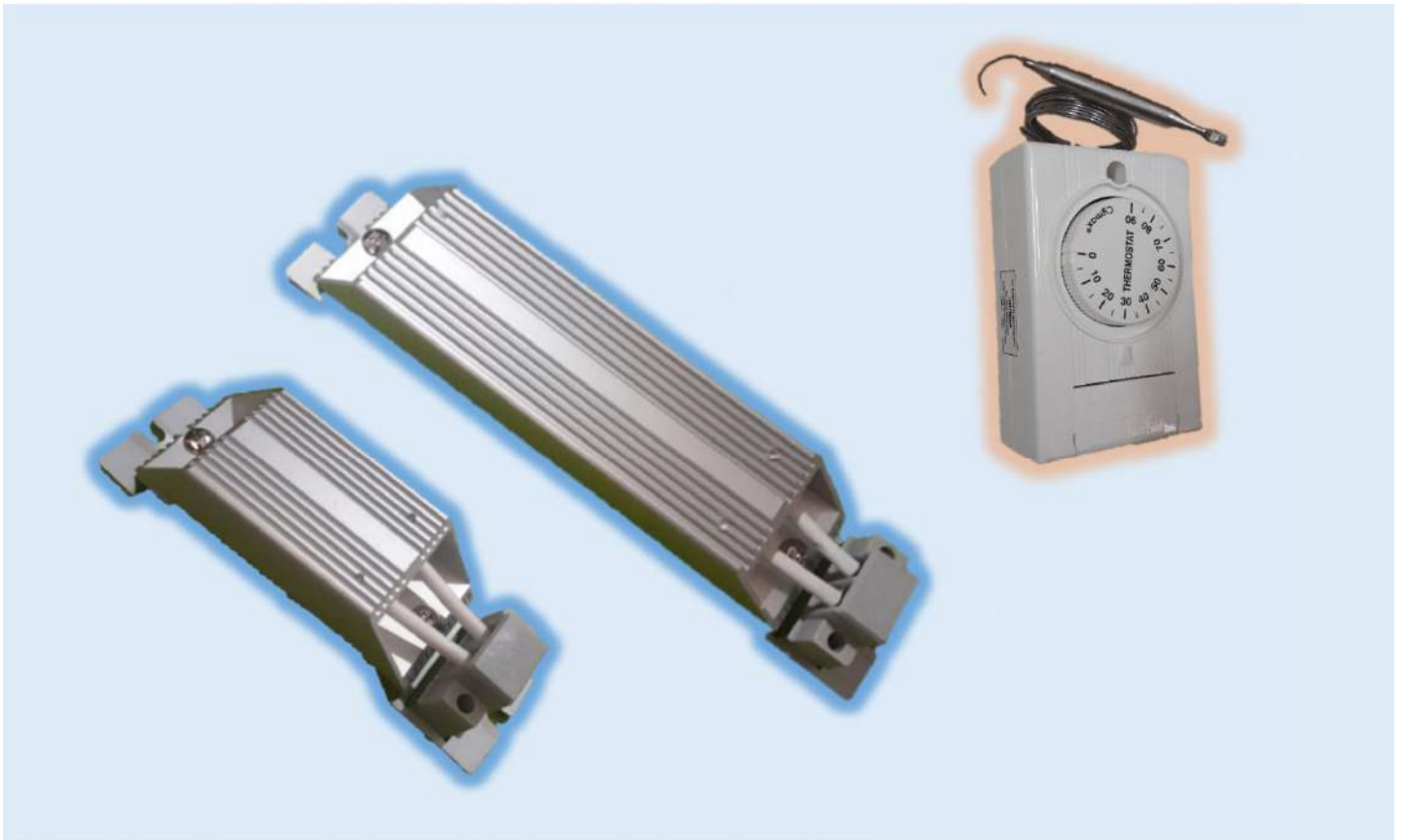
A : (bx40)+50 B : (ax30)+80 C : bx40 D : ax30 E : 189

E' : 198 F : (ax30)+60 G : A-18 H : F+2

3.3 Size of Marking Plate



Space Heater & Thermostat

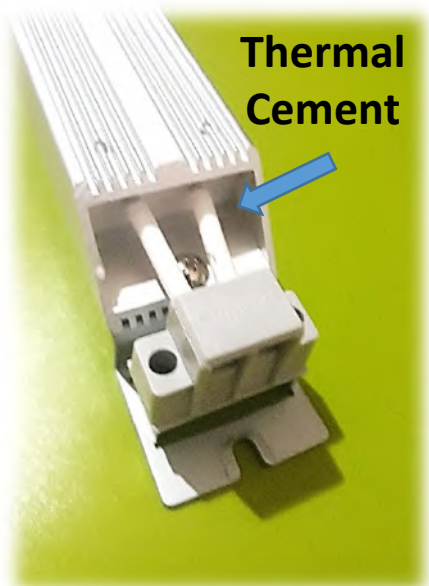


SPACE HEATER

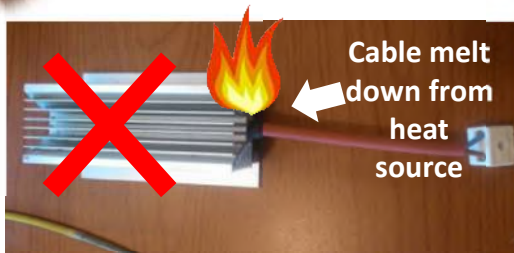


CYMAX Space Heater has a separate connection terminal from the heating part, and are connected by two insulated steel cable. This structure prevents cable melt down from heat.

Heat source of CYMAX Space Heater is covered with Thermal Cement and Aluminum Tube, thus no contact with air or dust. This prevents fire, thus longer product life span.



Separate Terminal

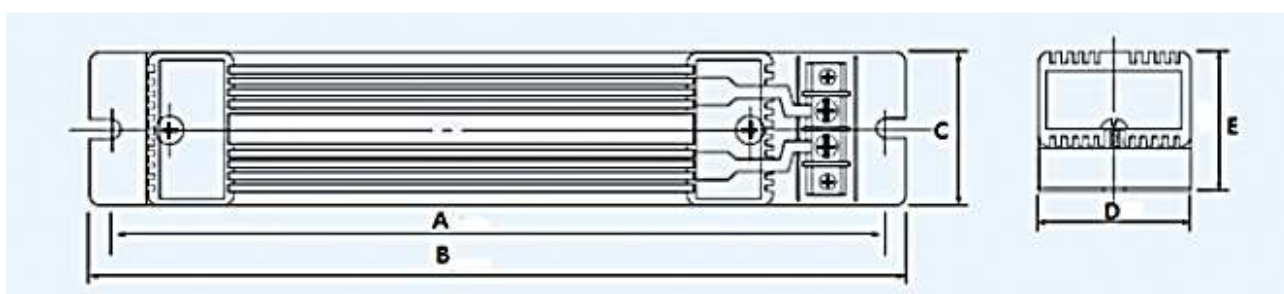


Other Brand

Heat Source Inside



CYMAX Space Heater has various wattage and sizes from 50 ~ 300 Watt. Product sizes are the same for 50 Watt and 60 Watt. Please refer to the size chart below for details.



TYPE	VOLTAGE	WATT	A	B	C	D	E	
CYSH-AL	AC 110V AC 120V AC 220V AC 230V AC 380V AC 400V AC 500V & OTHER CUSTOM VOLTAGE AVAILABLE	50W	140	150	40	40	37	
		60W	140	150	40	40	37	
		80W	190	200	40	40	37	
		100W	205	215	40	40	37	
		125W	250	260	40	40	37	
		150W	250	260	40	40	37	
		200W	265	275	40	40	27	
		300W	245	255	60	40	45	
		+300W	CUSTOM WATT AVAILABLE					

Size Measurement : Millimeters

THERMOSTAT [CYIT-90]



TEMPERATURE RANGE : 0°C ~ 90°C

Thermostat Cymax is a temperature controller for a fan and a heater in one device.

User can choose the sensor cable with the following options :

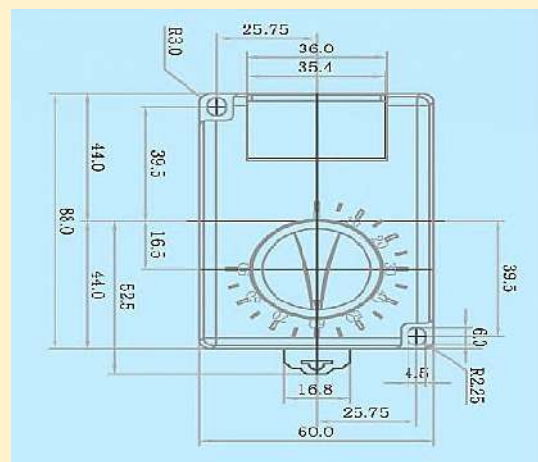
1. 0cm Cable Length
2. 100cm Cable Length
3. 200cm Cable Length

THERMOSTAT with

FAN + HEATER

combined as ONE

DRAWING



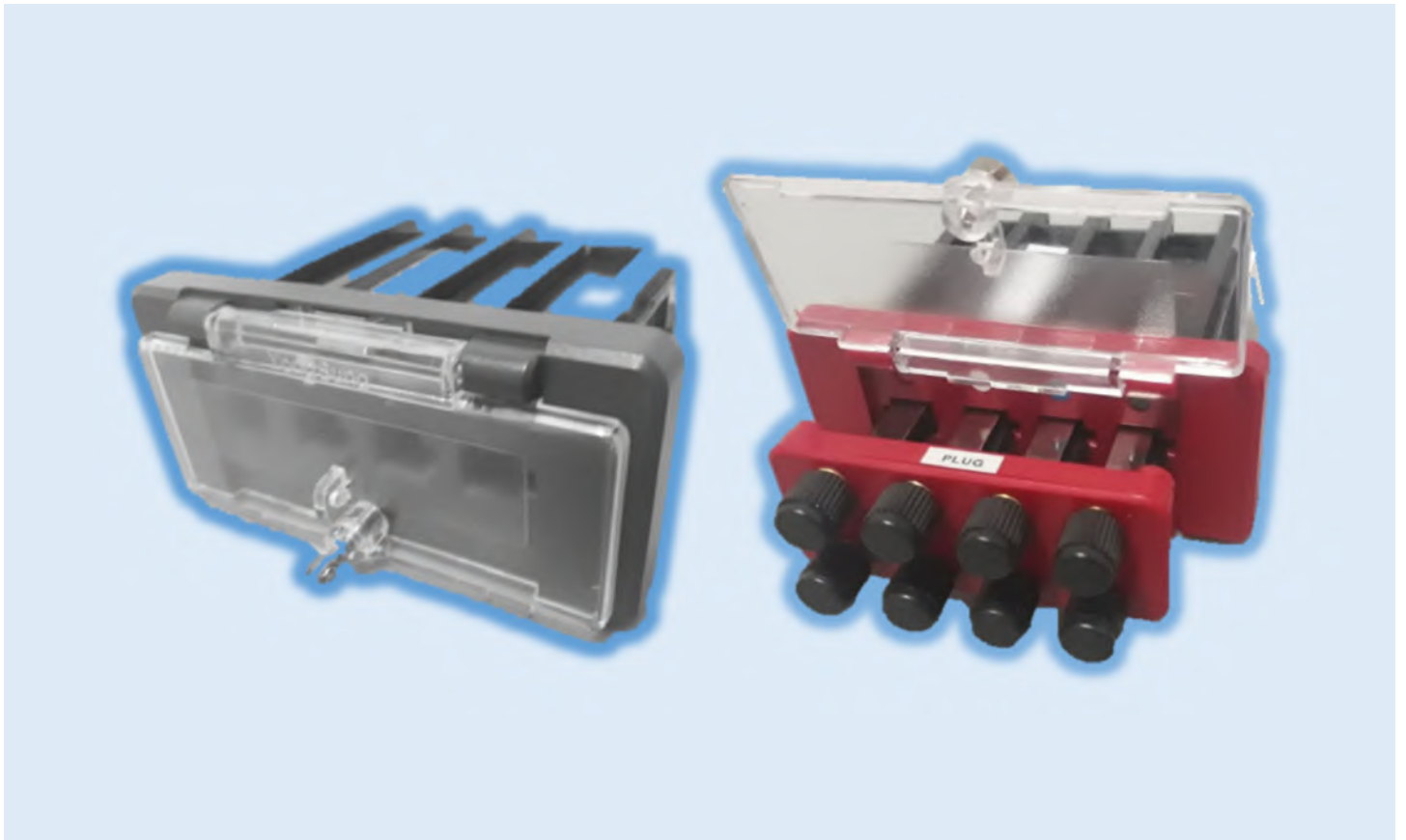
CABLE DOOR OPENED



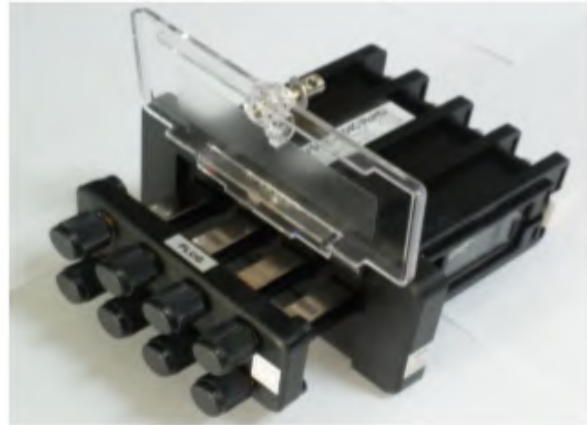
BACK SIDE

Current Test Terminal Block

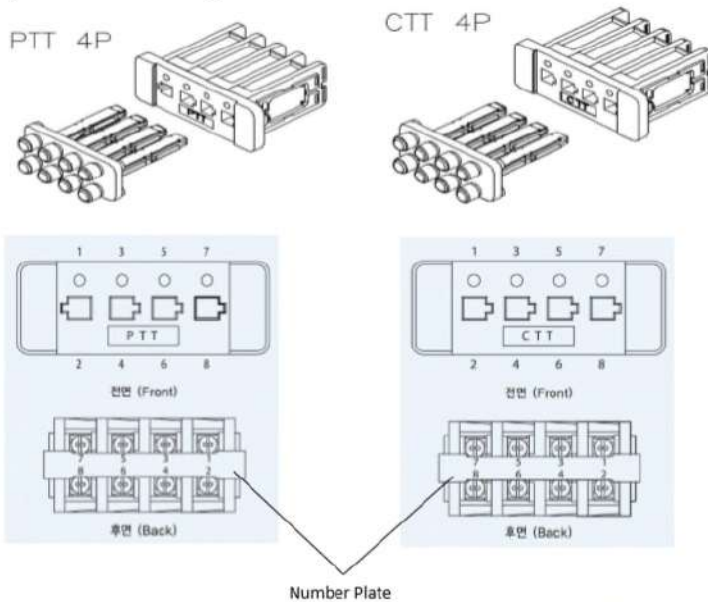
Potential Test Terminal Block



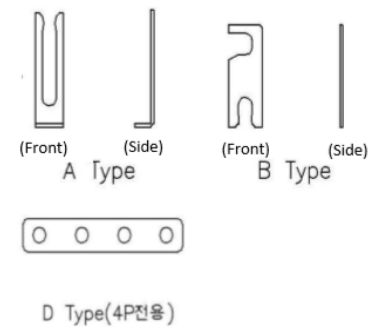
CURRENT TEST BLOCK (4P) POTENTIAL TEST BLOCK (4P)



● Shape of classification diagram



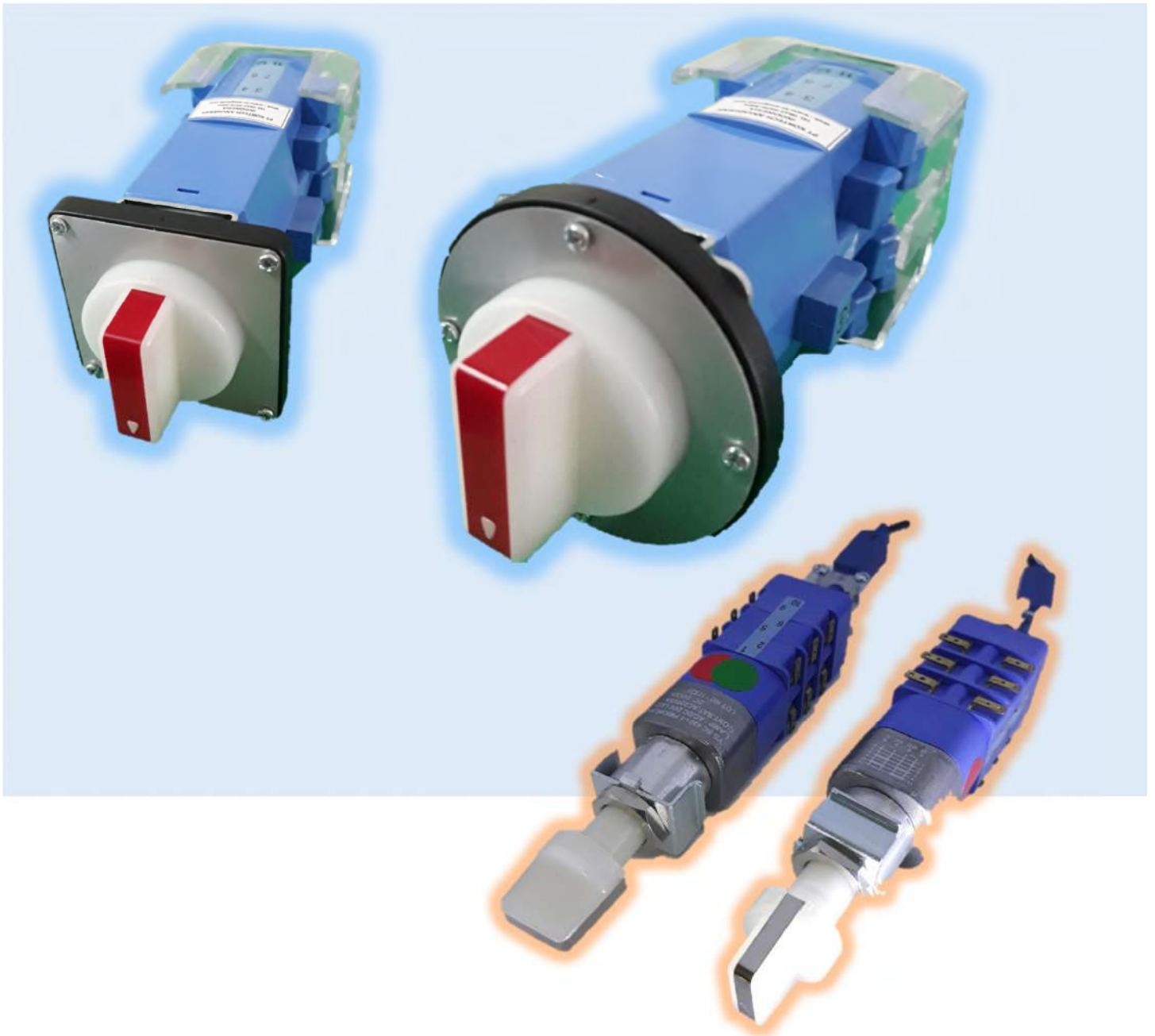
● Classification Common Bar



● Performance Summary

Sort	YS CTT-04	YS PTT-04
Rating Voltage	AC250V	
Rating Current	10A	
Withstand Voltage	AC2,500V/Min	
Impulse withstand voltage	4KV	
Short-circuit current	200A/1s	
Insulation resistance	above100MΩ(DC500V. Meg)	
Working temperature range	-20°C~+55°C	
Relative humidity	45~85%	
Wire	1.5 ~ 6mm ²	
Bolt	M4	
Recommended torque	12kgf·cm	
IP rating	40	

DISCREPANCY CAM SWITCH

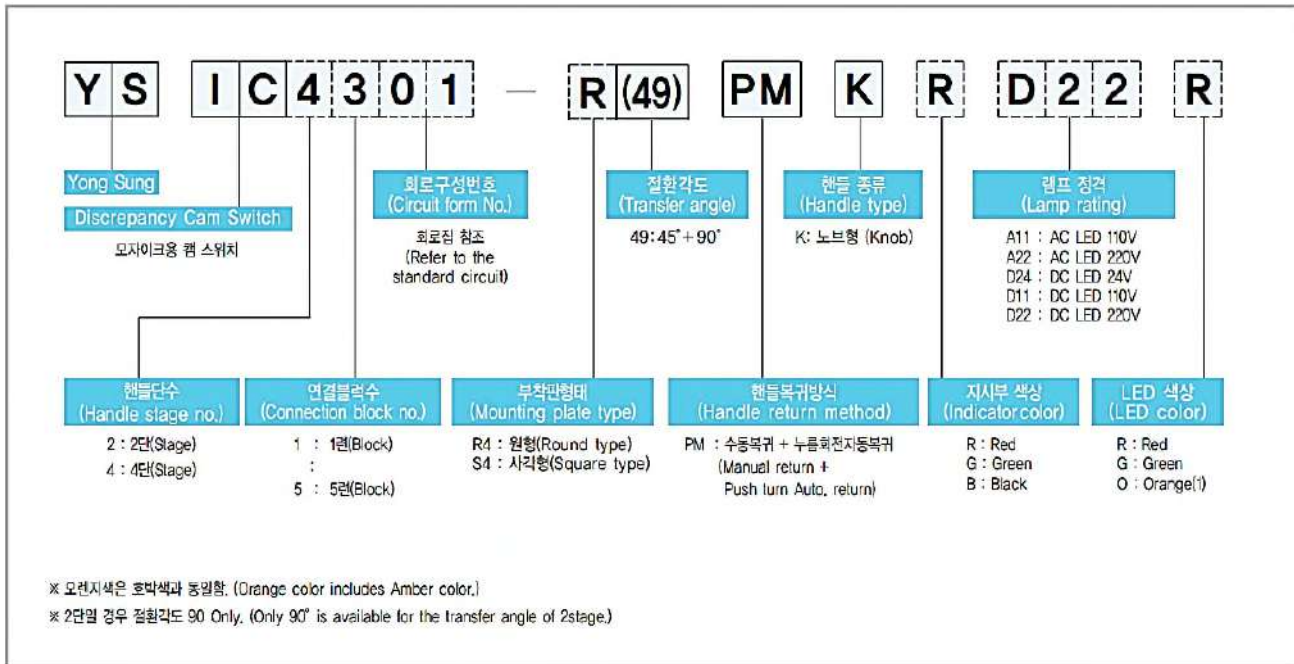


DISCREPANCY CAM SWITCH

AC250V, 10A

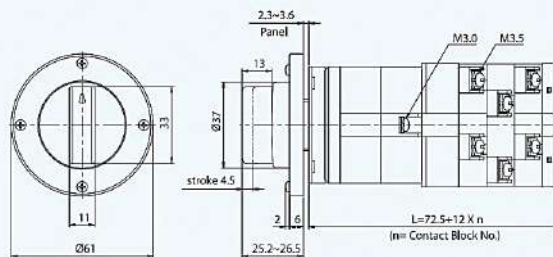


TYPE CLASSIFICATION

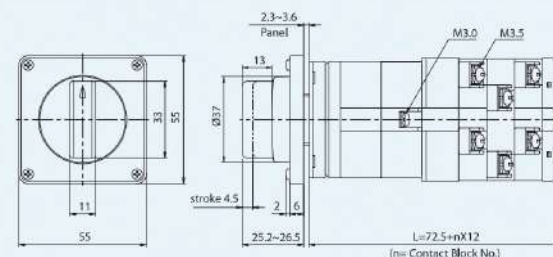


DRAWING

YS IC-R4



YS IC-S4

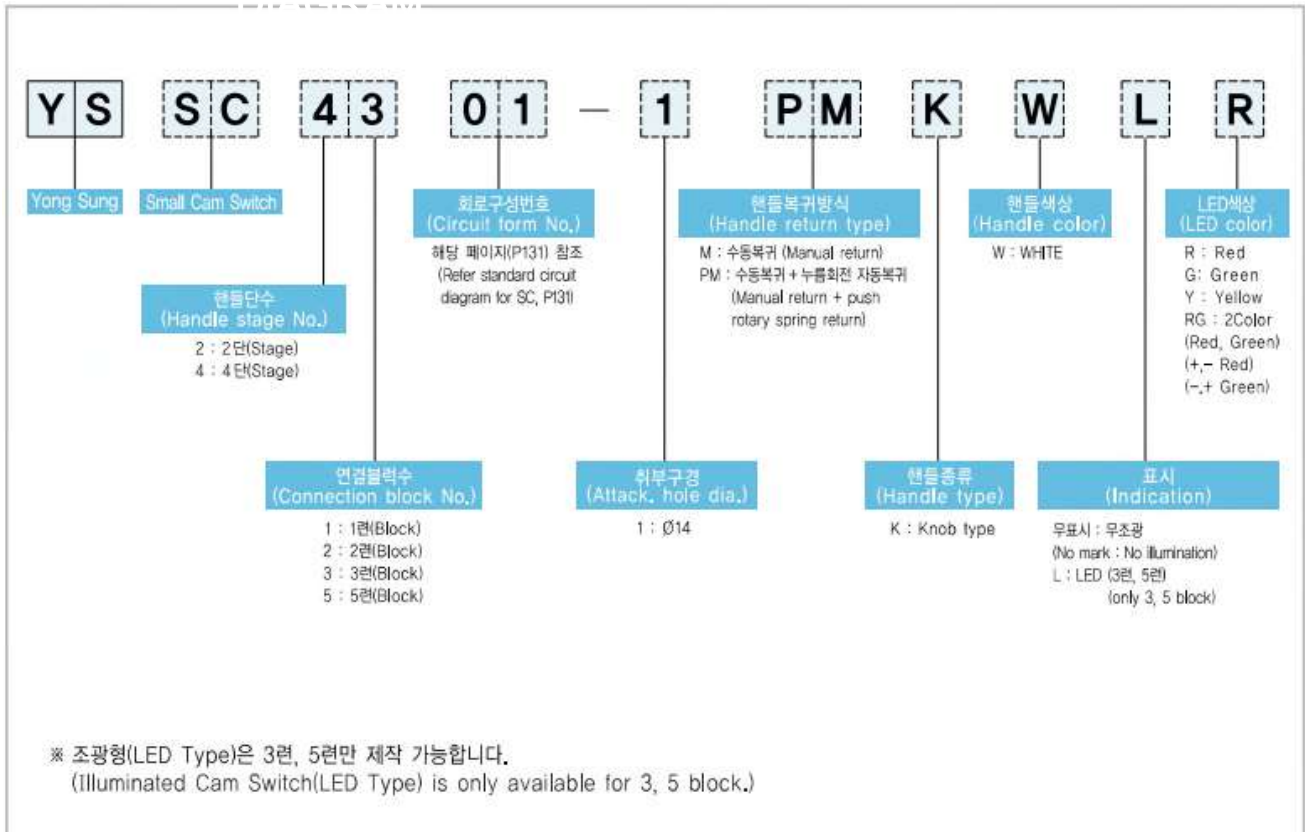


DISCREPANCY CAM SWITCH

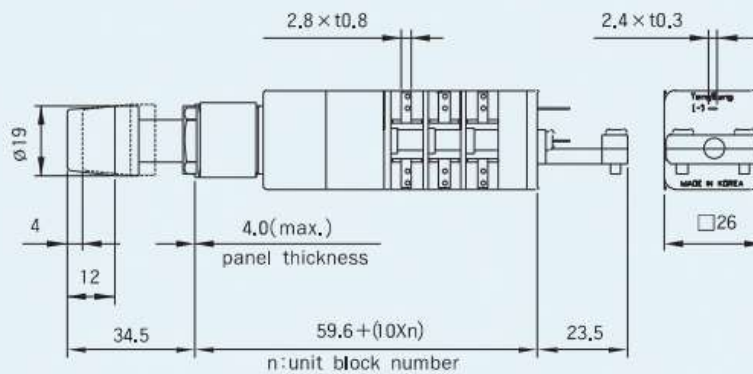
AC250V, 5A



TYPE CLASSIFICATION



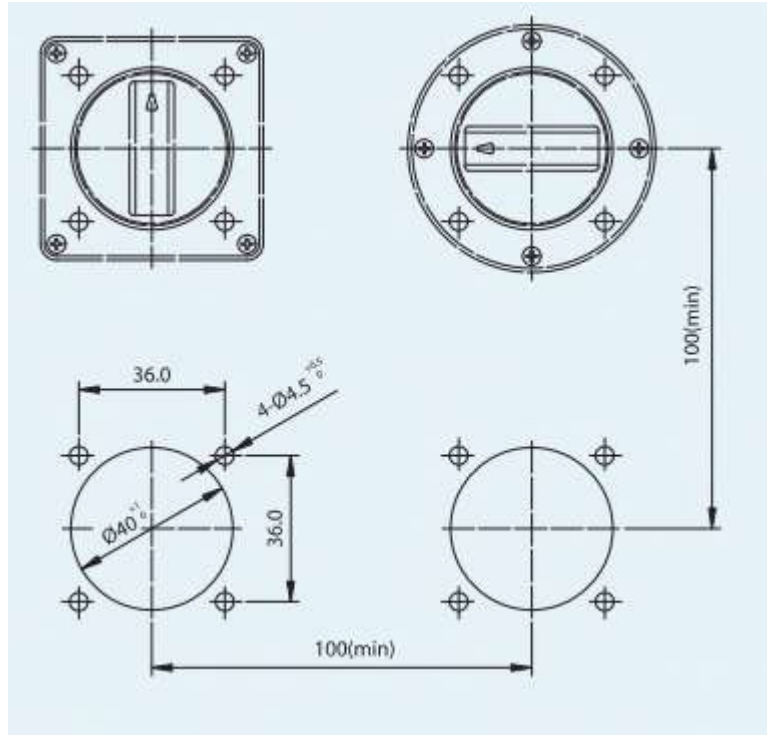
DRAWING



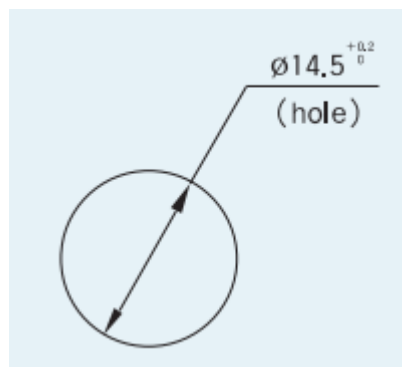
DISCREPANCY CAM SWITCH CUT-OUT DIMENSIONS



AC 250V, 10A

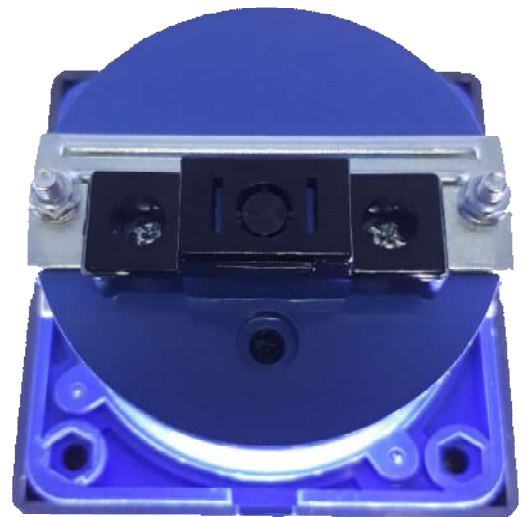


AC 250, 5A

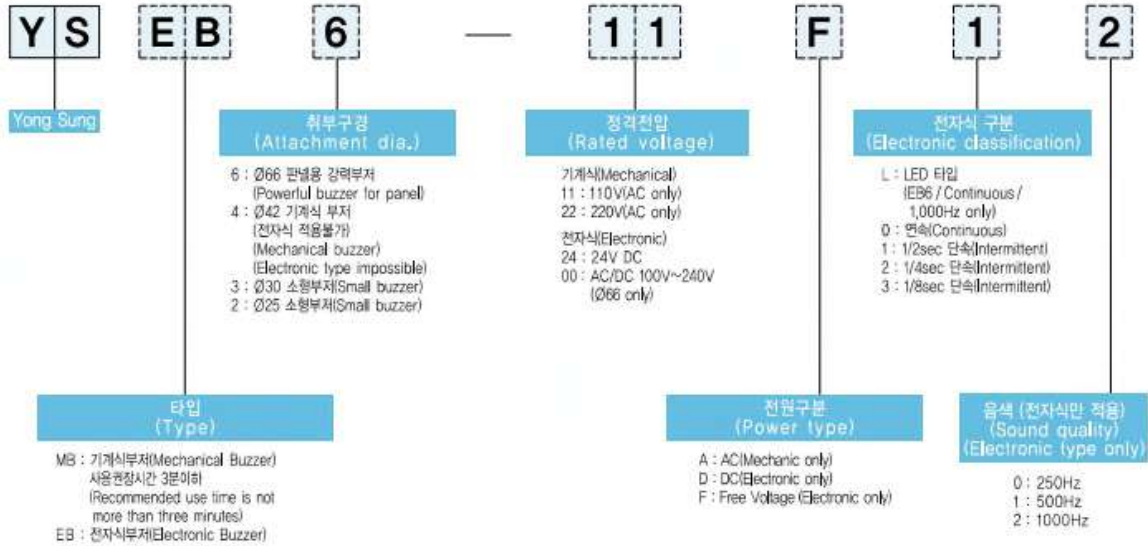


(Unit : mm)

BUZZER



BUZZER



φ66



φ25



φ42



Exposure Type

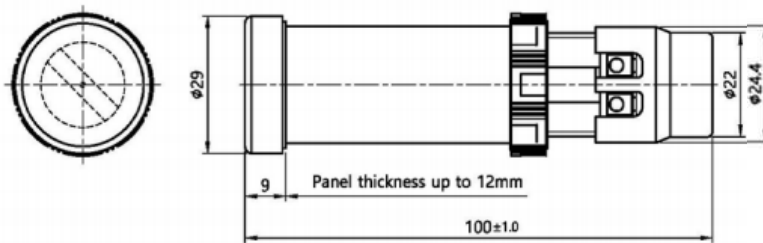
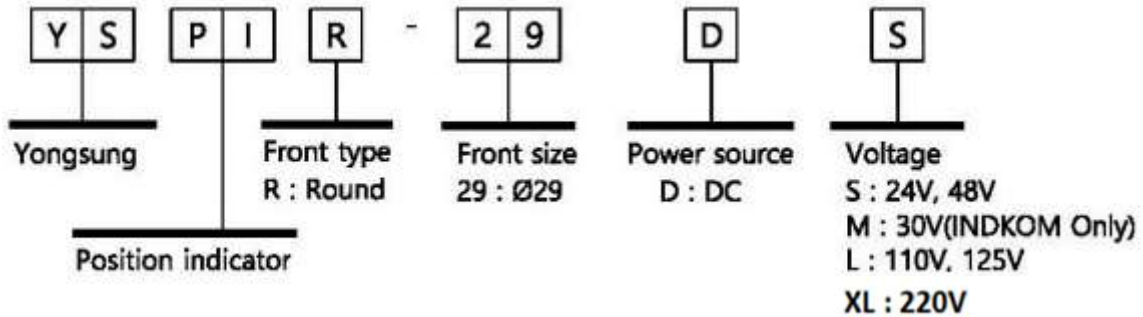
SEMAPHORE INDICATOR



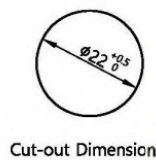
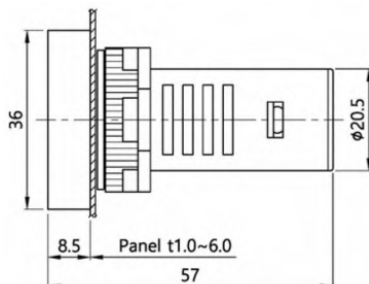
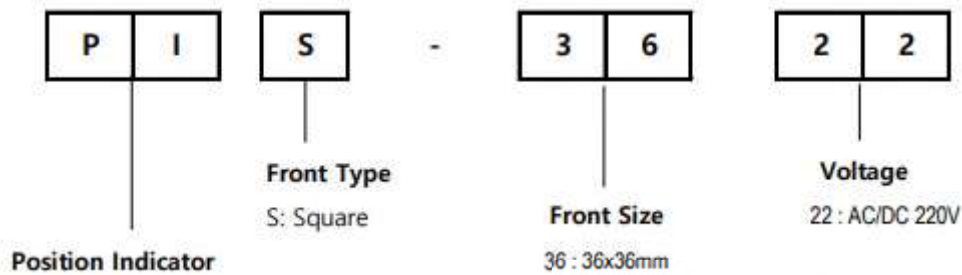
SEMAPHORE INDICATOR



ROUND TYPE



SQUARE TYPE



KEY CAM SWITCH

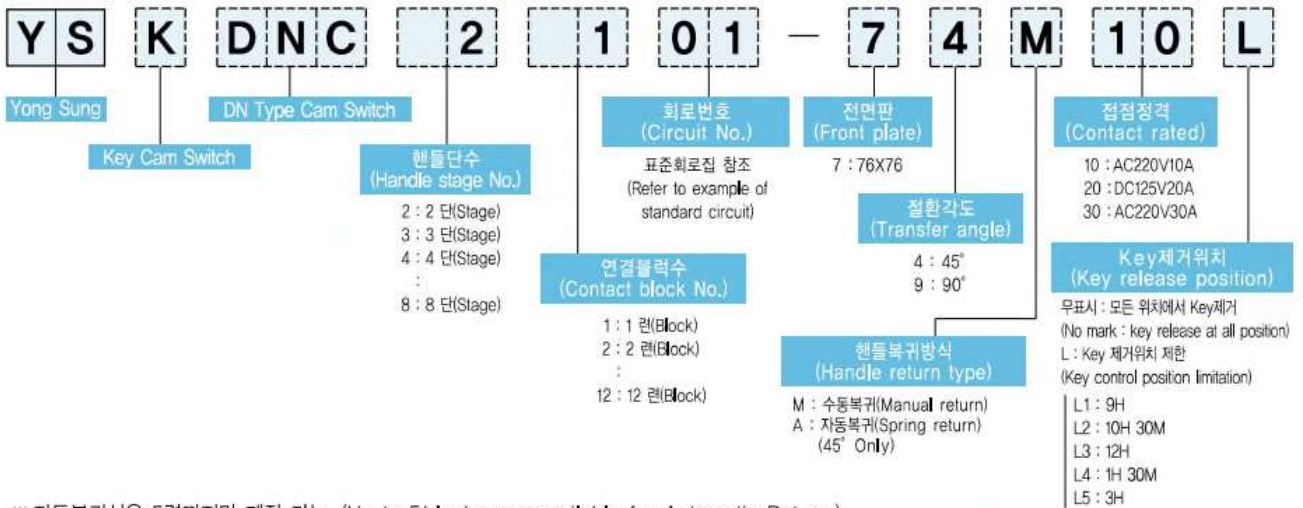


KEY CAM SWITCH

5A ~ 30A

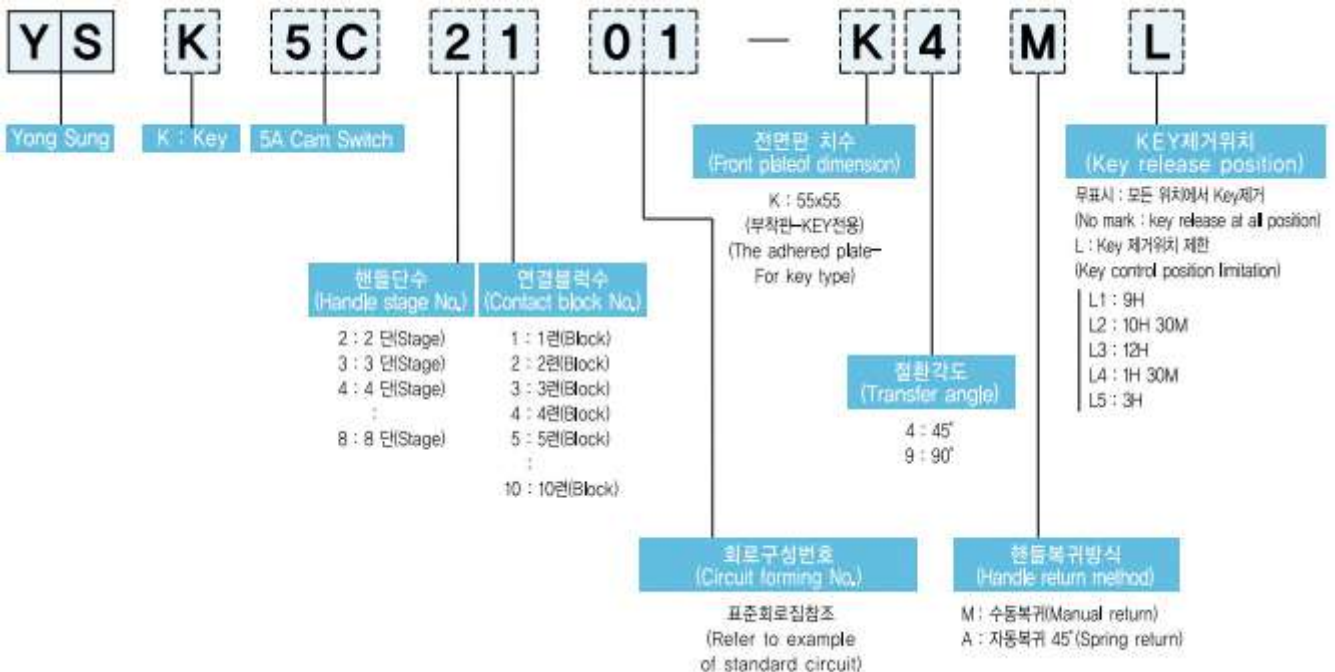


KEY CAM SWITCH (5A)

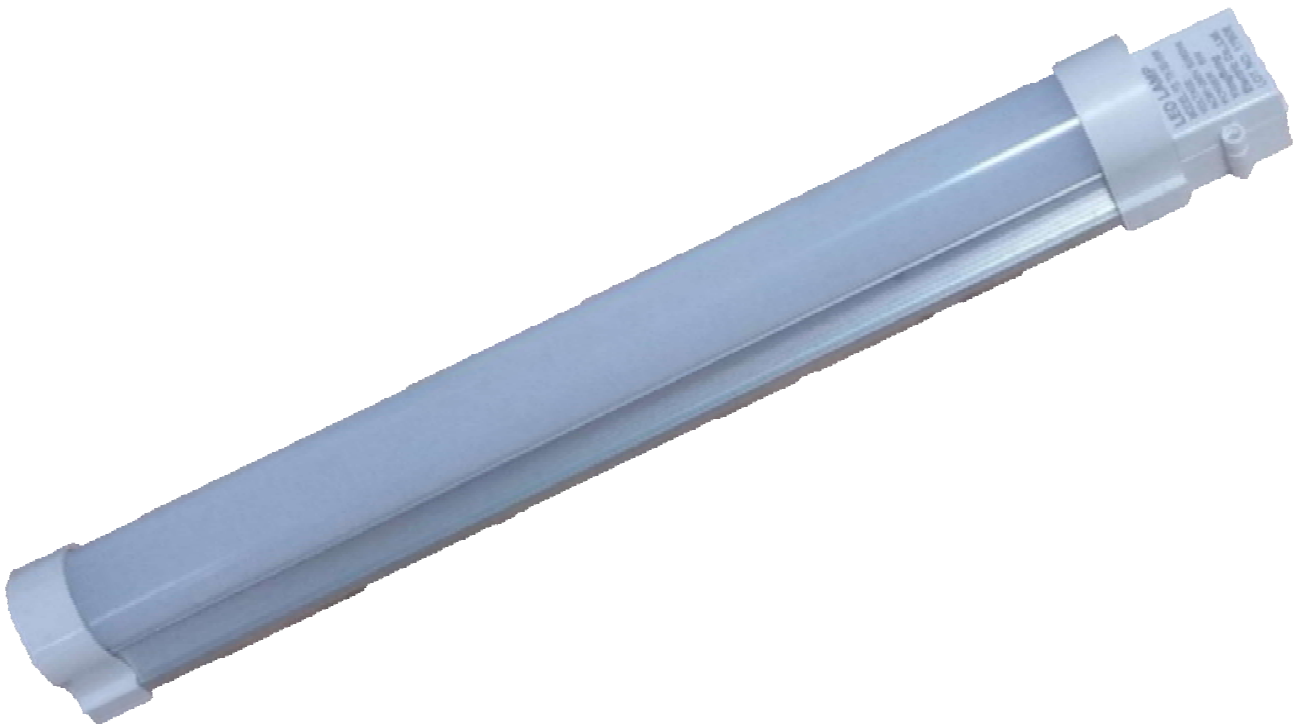


※ 자동복귀식은 5련까지만 제작 가능. (Up to 5 blocks are available for Automatic Return.)
 ※ 몸체 다이캐스팅 재질은 주문사양입니다. (Diecasting for the body is order production.)

KEY CAM SWITCH



LED PANEL LIGHT



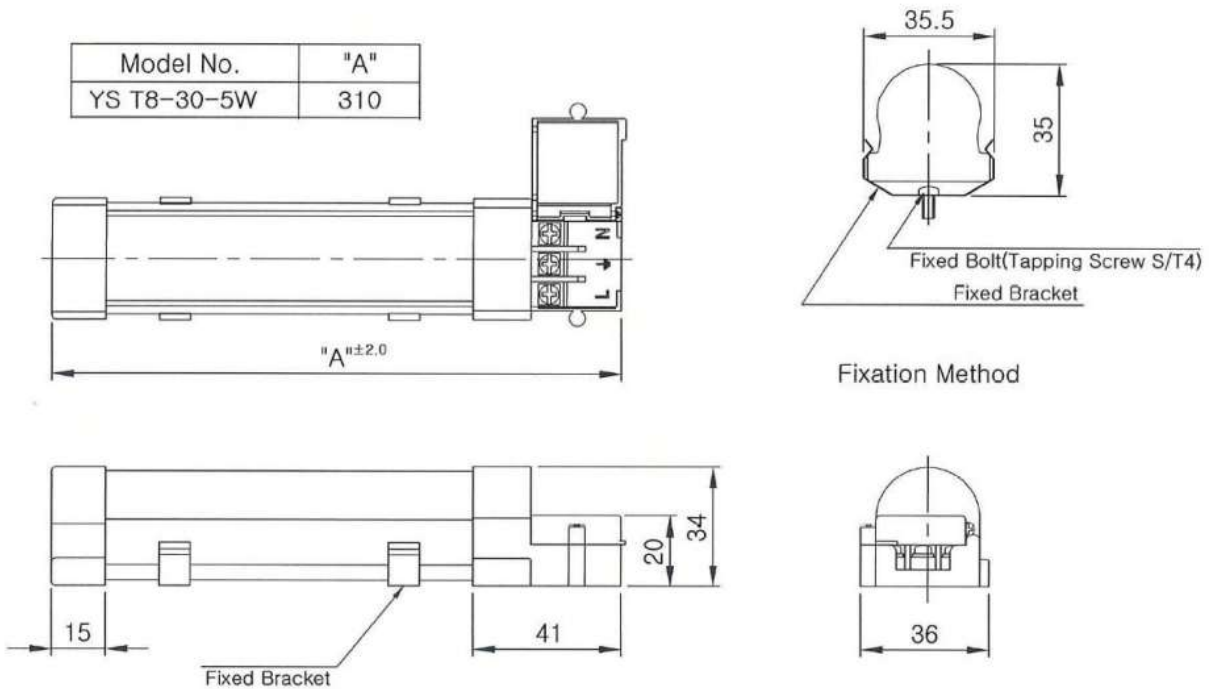
LED PANEL LIGHT

YS T8-30-5



Sort	YS T8 - 30 -5W
Rating Voltage	85~265VAC, 100~240VDC, 50/60Hz
Rating Current	Max.35
Rating Power	5±5%
Withstand Voltage	AC2,000V / 1Min
Insulation resistance	above 100MΩ(DC500V. Meg)
Working temperature range	-20°C~+55°C
Preserving temperature range	-20°C~+85°C
Relative humidity	45~85%
Altitude	Below 2,000m
Life Time	Over 50,000 hours
IP rating	IP20
Terminal Screw	M3.0, 0.5~0.85 N•m
Size(W x H x D : mm)	310 x 36 x 34

● Shape / Dimension Drawing



HOOK TUBE



HOOK TUBE



- Special size (Ø) tubes can be made to order.
- Hook spacing can be made arbitrarily when ordering.
- The color is gray and the thickness is 0,35mm.

Texture

The material of the cable hook tube is UL94V-0 grade soft polyvinyl chloride,

In addition, hooks are produced in two types, UL94V-1 grade polyethylene and non ratardant acetal.

Usage

The cable hook tube is used to protect the wires inside the switchboard and the wires connected to the door, and is used to bind the wires around various harnesses.

Dimension

품번	TUBE크기(φ)	HOOK간격(mm)	길이(m)
CYCHT-15	15	75	50
CYCHT-20	20	75	50
CYCHT-25	25	75	50
CYCHT-30	30	75	50
CYCHT-40	40	75	50
CYCHT-50	50	75	50
CYCHT-65	65	75	50
CYCHT-75	75	75	50

Other Products



BLACK



ALUMINUM



AL + SHIELD WIRE



NON-FLAMMABLE

PVC DUCT

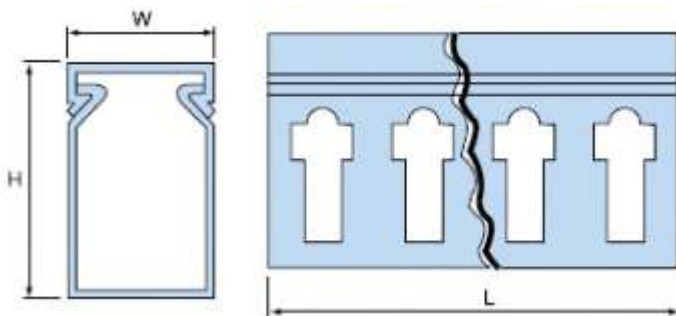




Long-lasting, high quality plastic

Durable, and easy to assemble / disassemble

Quick to install cables



■ Dimension

				(m/m)			
품번	L	W	H	품번	L	W	H
CYCWD-S2030	2000	20	30	CYCWD-S40100	2000	40	100
CYCWD-S2540	2000	25	40	CYCWD-S6060	2000	60	60
CYCWD-S2560	2000	25	60	CYCWD-S6080	2000	60	80
CYCWD-S3040	2000	30	40	CYCWD-S8060	2000	80	60
CYCWD-S3060	2000	30	60	CYCWD-S8080	2000	80	80
CYCWD-S4040	2000	40	40	CYCWD-S80100	2000	80	100
CYCWD-S4060	2000	40	60	CYCWD-S10080	2000	100	80
CYCWD-S4080	2000	40	80	CYCWD-S100100	2000	100	100